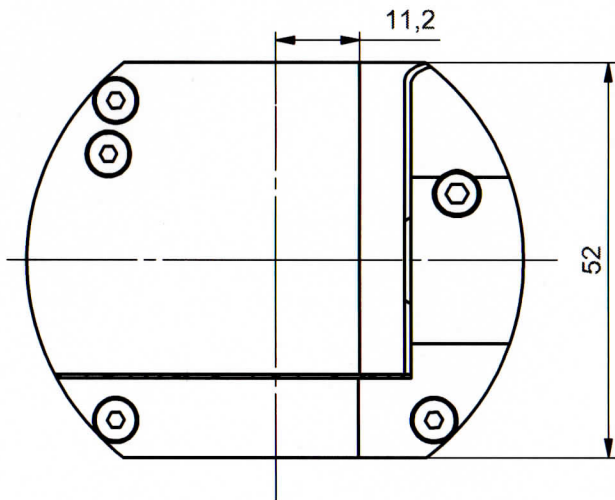
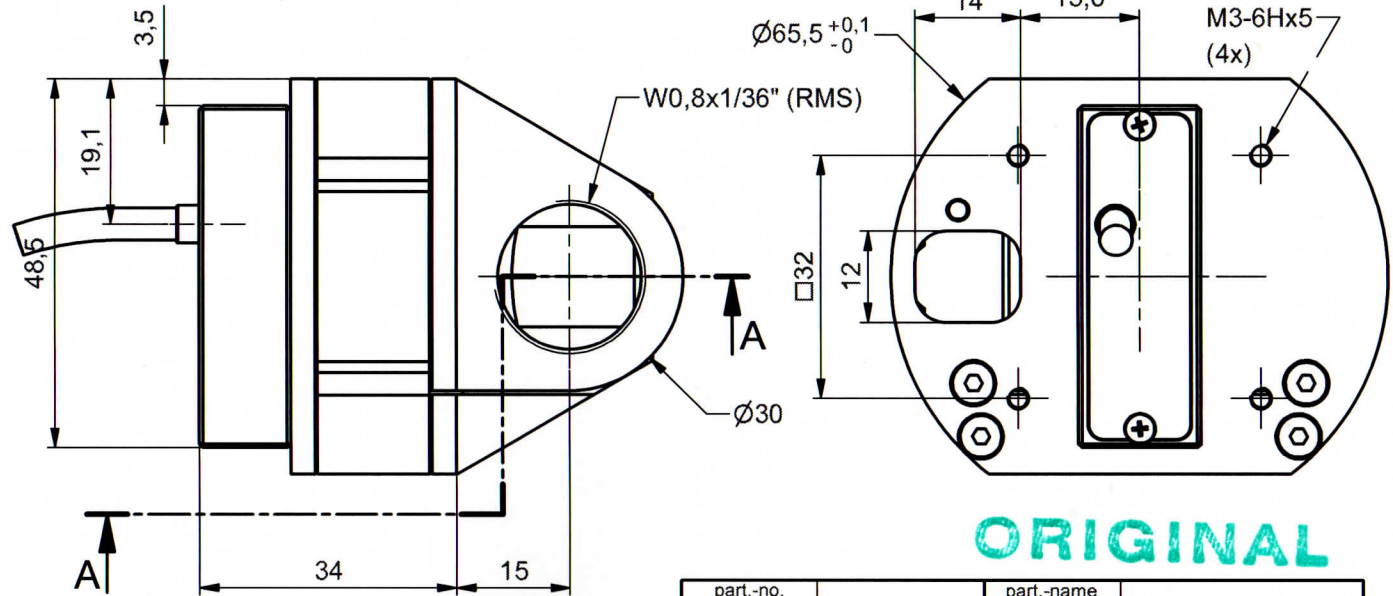
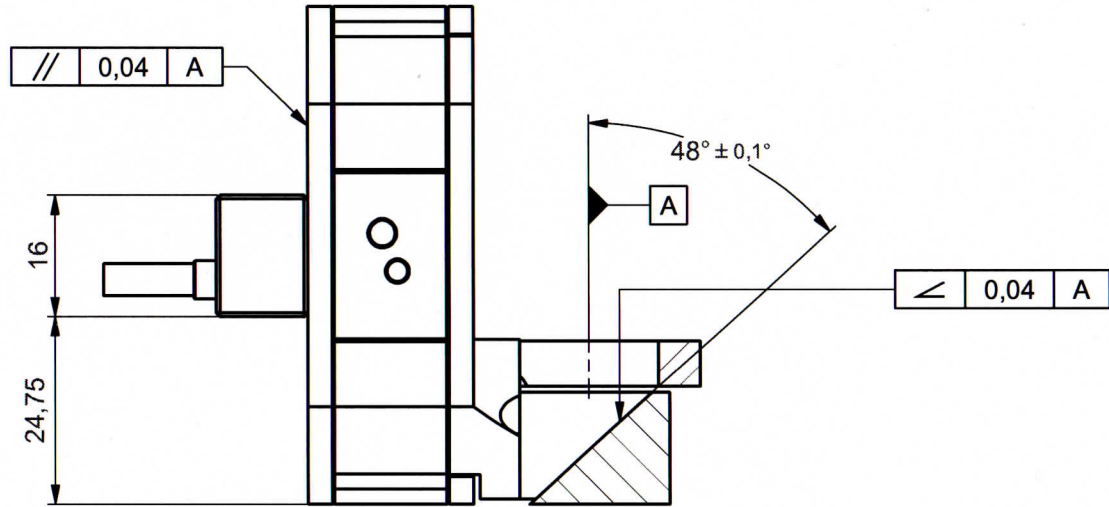


voltage and sensor cable *



Bewegung [μm] 200 / 240 closed loop / open loop
($\pm 100 / 120$)

A-A (1:1)



ORIGINAL

part.-no.	S-630-01 (D-E)	part.-name	nanoX 240 SG POP NF
file name	PS63001	OK: date/sign.	23. JULI 2014
		scale	M 1:1
			customers drawing piezosystem jena

* cable length on request