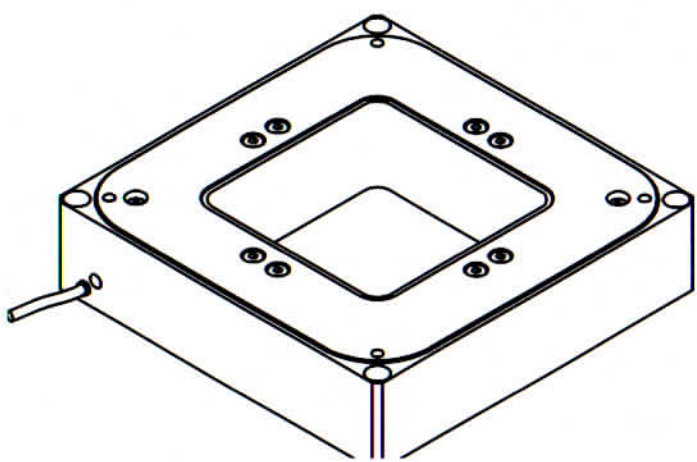


M4 - 6H (4x)
for mounting



M5 - 6H (4x)
for fixing

*The Z - motion is included in high tolerance field.
The 4 screw holes are for DIN 912 M4 screws from the topside
or for M5 screws from the bottom side.

coax cable without connector, cable length 1m

ORIGINAL

part-no. S-605-90		part-name PZ 700 SI	
file name PS 605 90	rev.02	OK: date/sign. 23.08.2013	
scale M 1:1		customers drawing piezosystem jena	