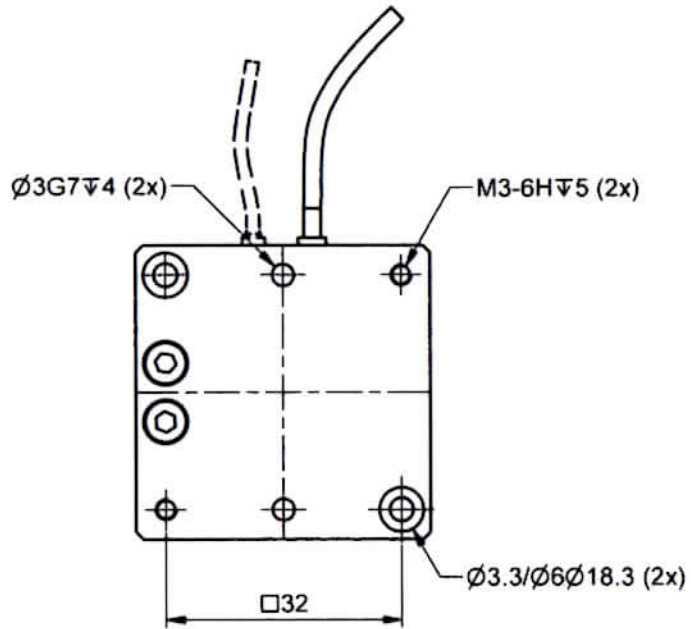
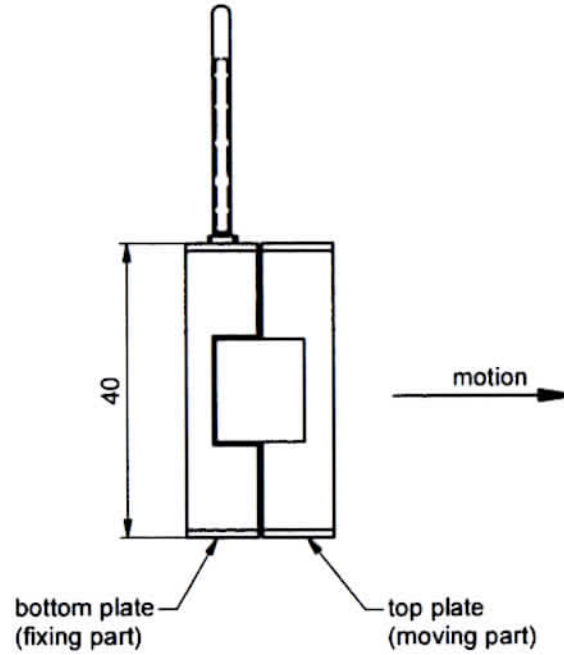


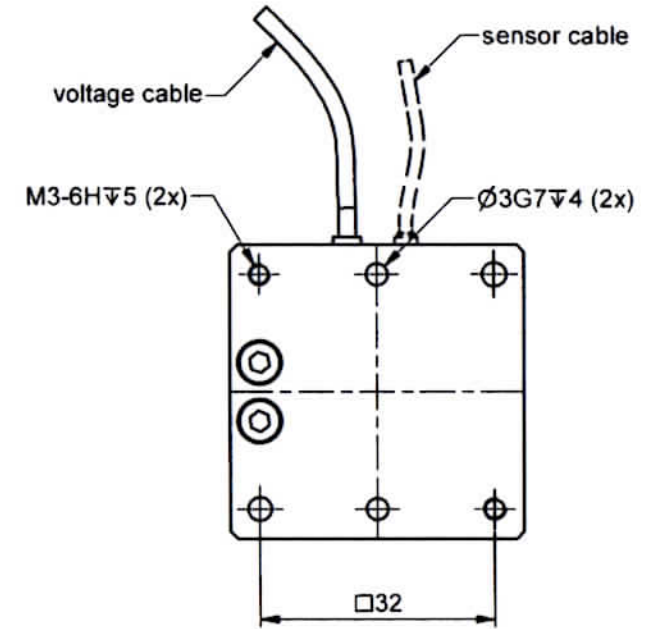
top view



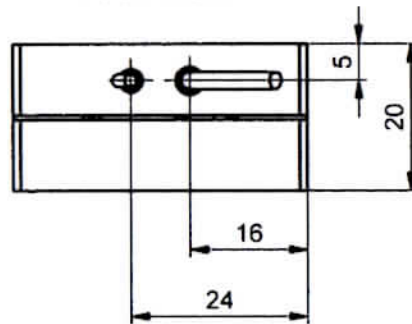
side view



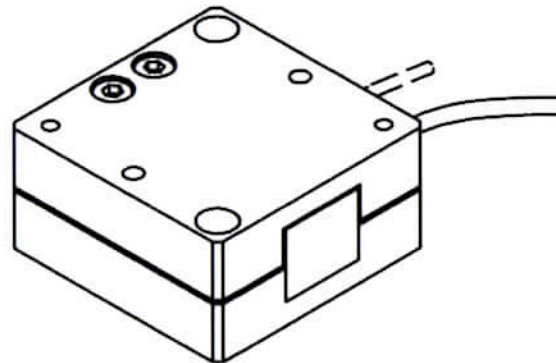
bottom view



rear view



model



ORIGINAL

standard cable length: 1 m (ol) / 2 m (SG)

part.-no. T-105-00 / -01		part.-name PZ 100 (SG)	
file name PT10501ÄZ1		OK: date/sign. 11. OKT. 2019	
rev. 1		scale 1:1	
		customers drawing piezosystem jena	

rev.01

depth pin hole Ø3G7V4

28.1.14 KK