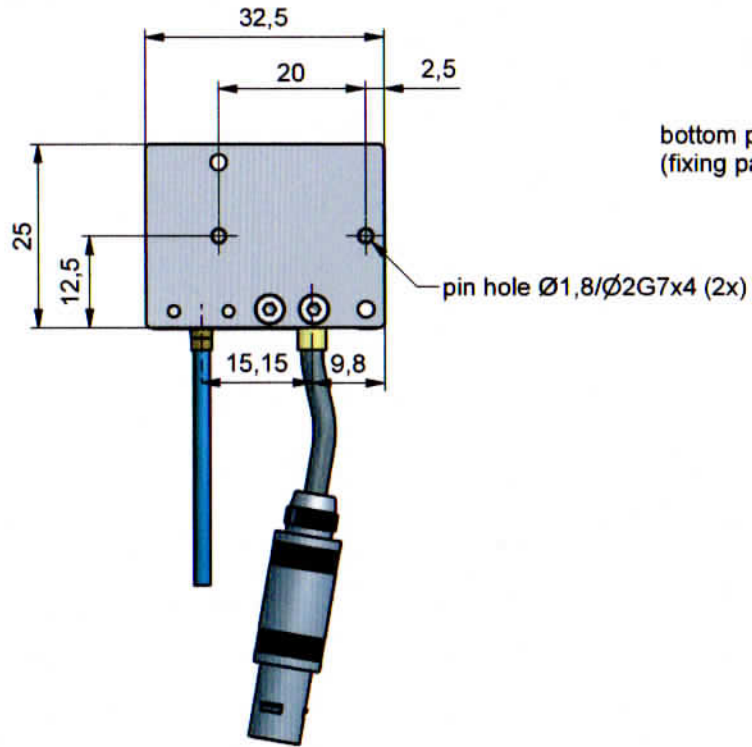
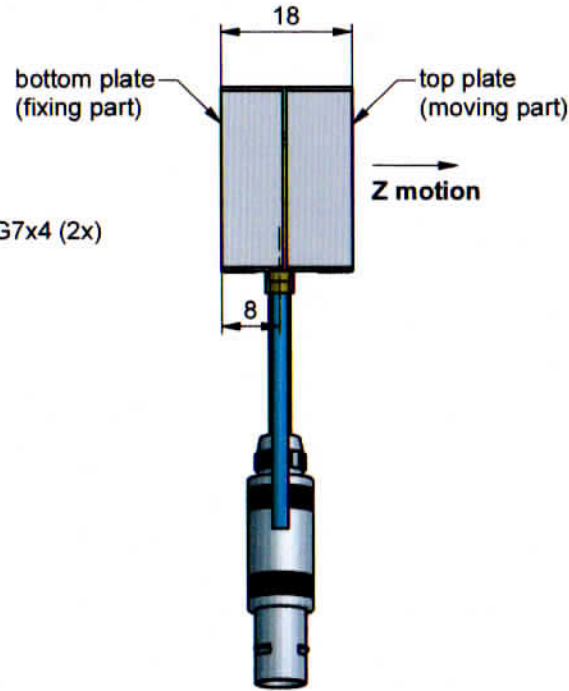




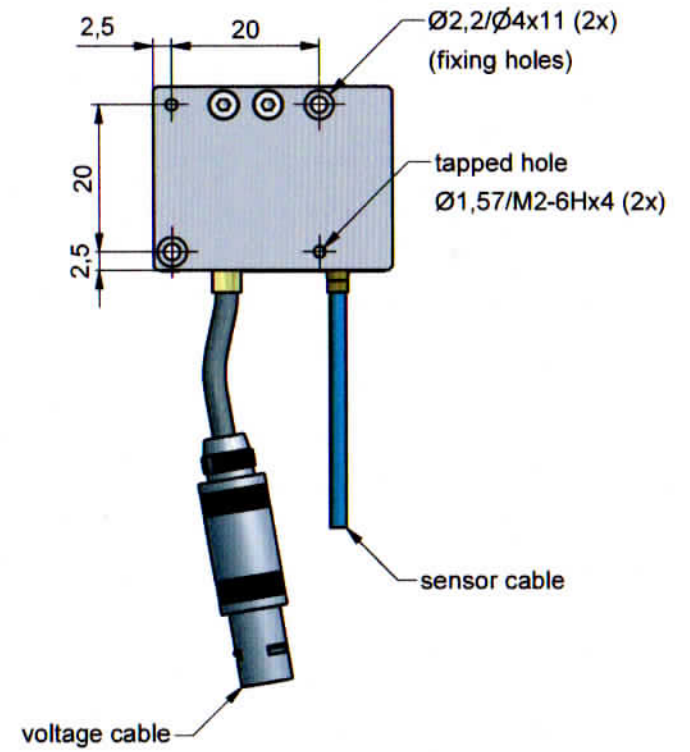
bottom view



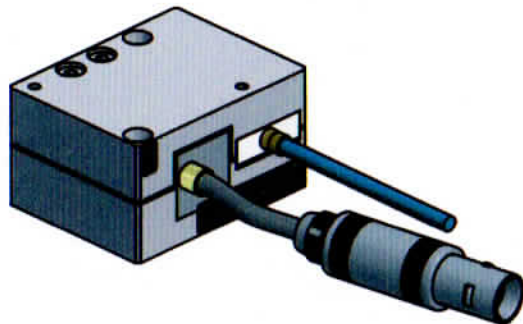
side view



top view



model (1 : 1)



ORIGINAL

standard cable length 1,6m (EXT/DIG 2m)

part.-no. T-102-06 (E/DIG)		part.-name PZ 38 CAP	
file name PT10206	rev.02	OK: date/sign. 19. JUNI 2013	
scale 1:1		customers drawing piezosystem jena	