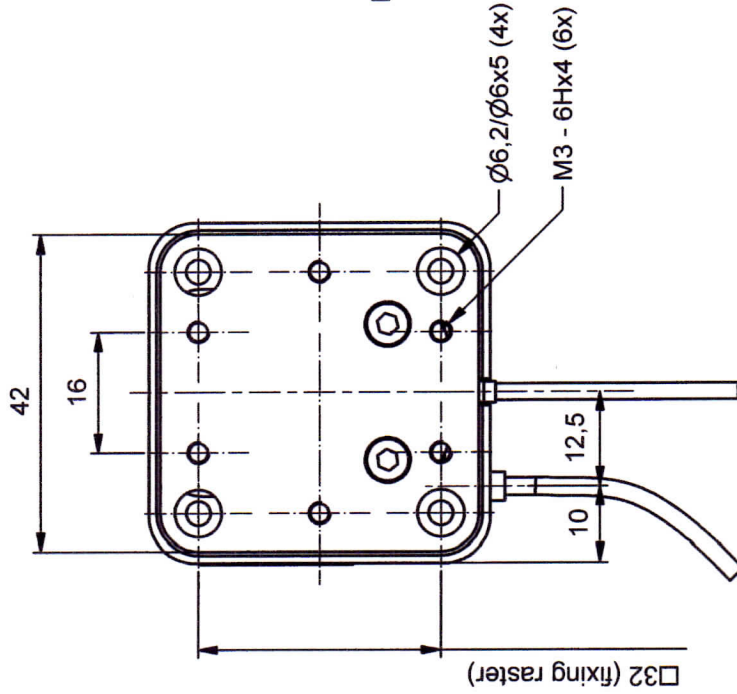
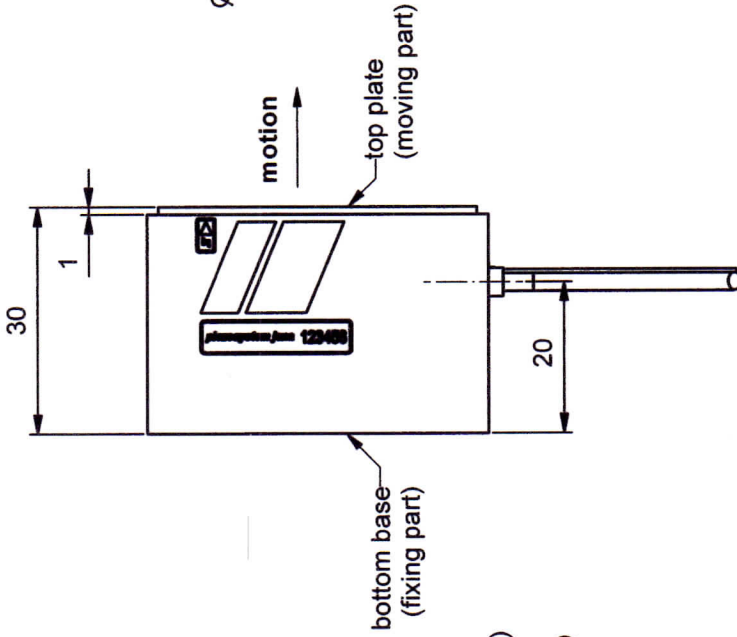


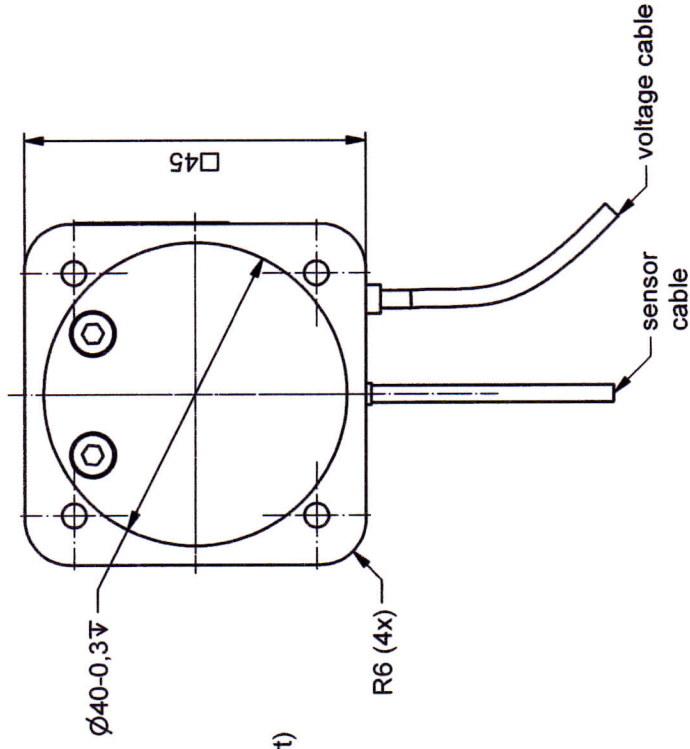
top view



side view



bottom view



model 1:1



ORIGINAL

part.-no.	T-102-16	part.-name	PZ 16 CAP
file name	PT10216	OK: date/sign.	04.01.2013
		rev.01	
		scale	1:1
		customers drawing	piezosystem jena