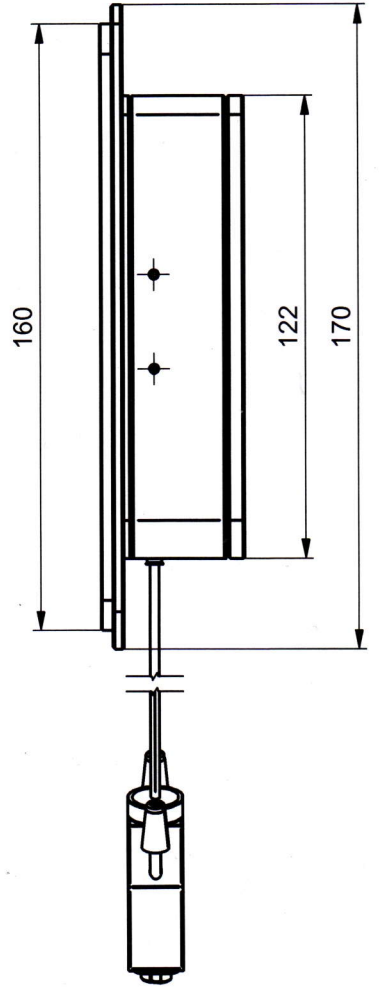


ORIGINAL



part.-no.	S-627-41D	part.-name	PZ 250 SG COF MRZ
file name	PS62741	OK: date/sign.	23.08.2017
	scale	customers drawing	
	1:2	piezosystem jena	