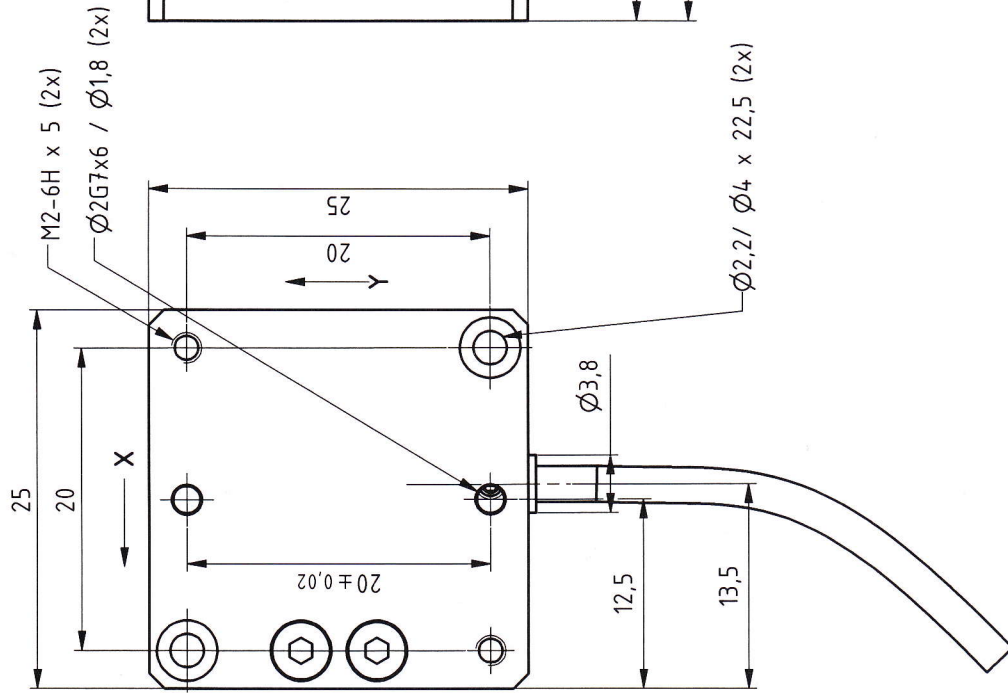
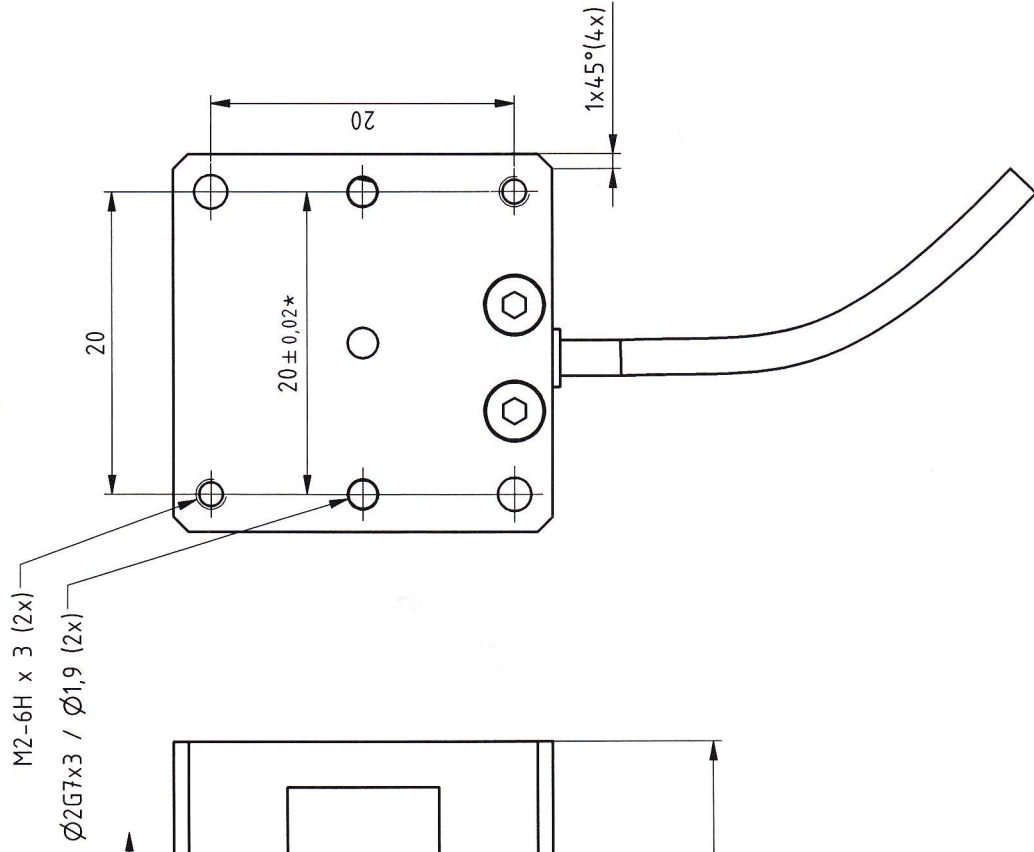


TOP



BOTTOM



* Tolerance valid only for pinholes

part.-no.	T-402-00(10)	part.-name	TRITOR 38
file name	PT40200_AEZ1	OK: date/sign.	20.02.2010
		Rev.	1
		scale	M 2:1
		customers drawing piezosystem jena	

ORIGINAL