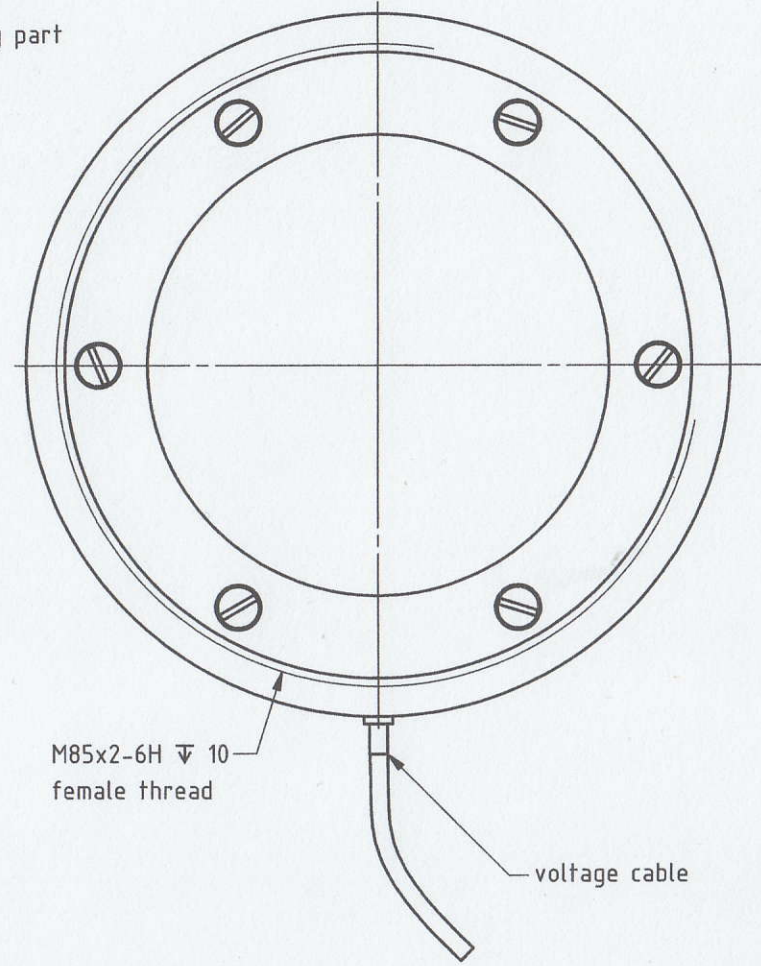
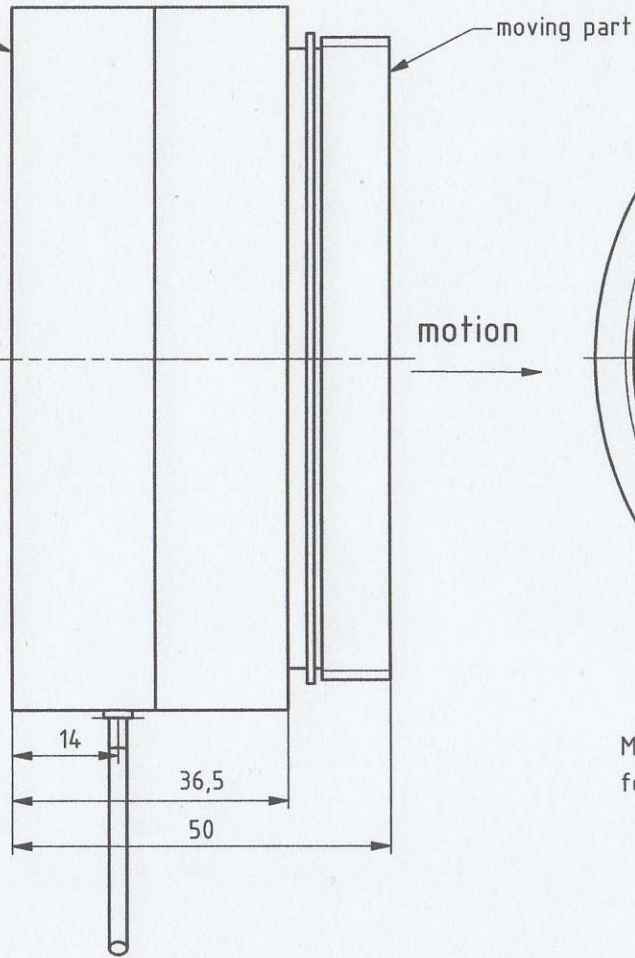
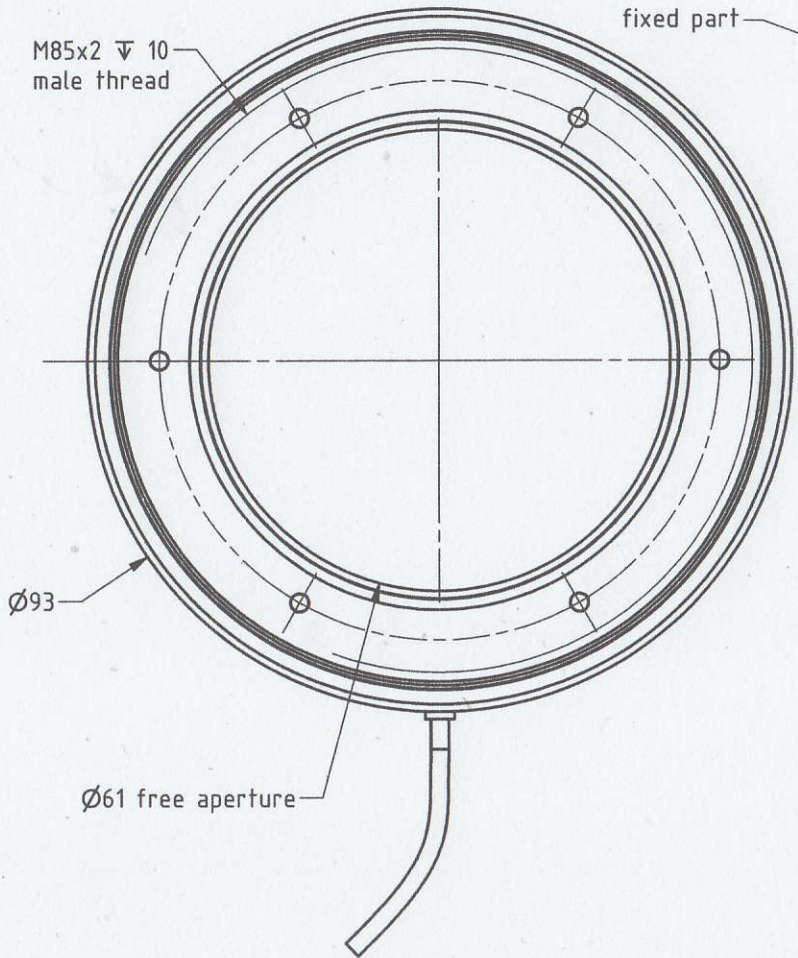


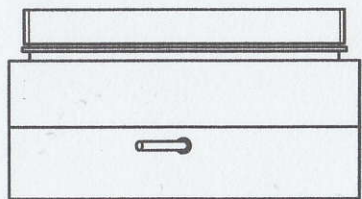
top view

side view

bottom view



( 1 : 2 )



recommended mounting position

ORIGINAL

part.-no.		part.-name	
0-309-10 (12)		MIPOS 16 M85 (VAC)	
file name	Rev. 1	OK: date/sign.	
P030912		05. JAN. 2017	
scale		customers drawing	
1:1		<b>piezosystem jena</b>	