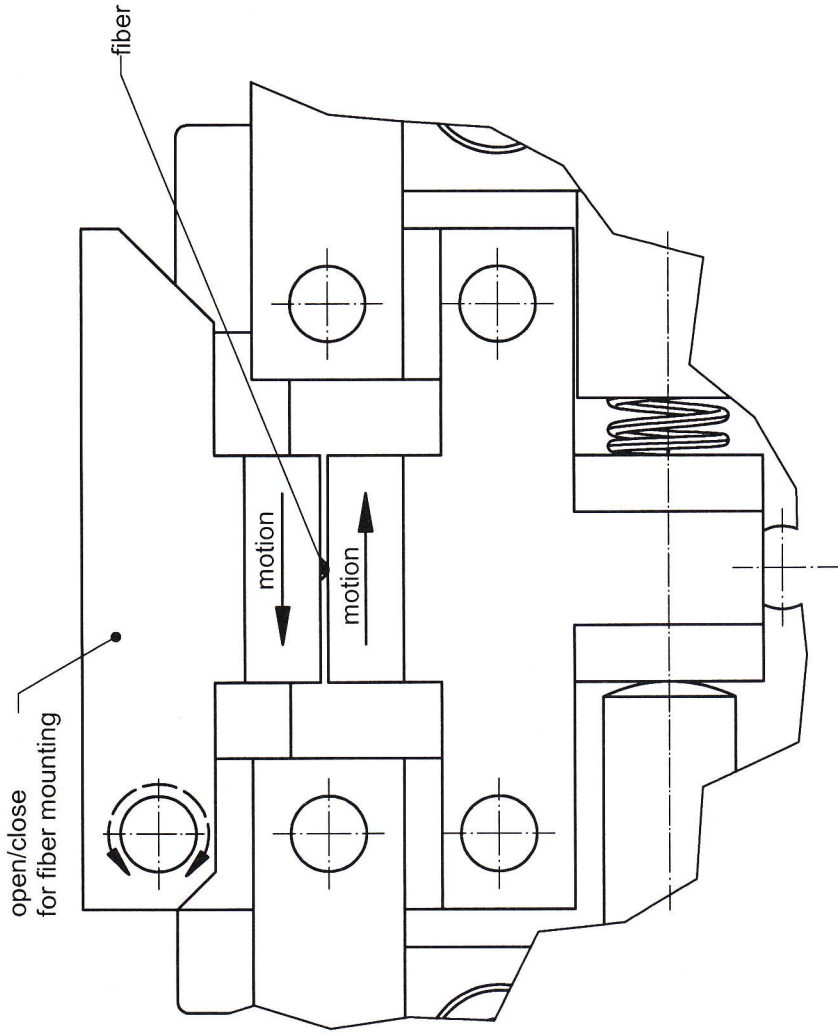
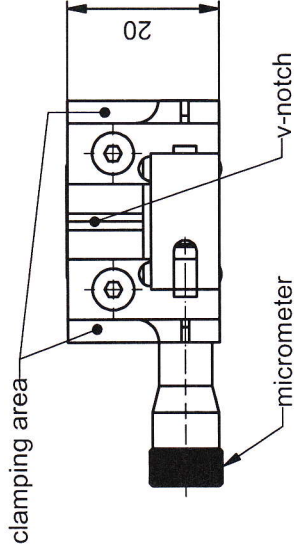
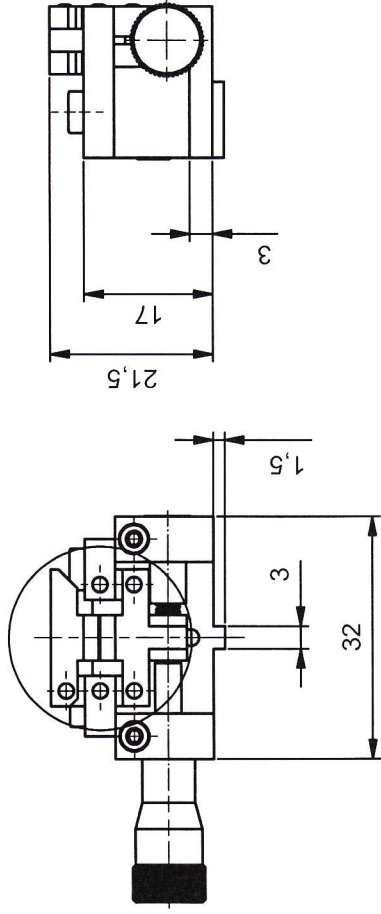


A (5:1)



A



**ORIGINAL**

part.-no.	O-205-00		part.-name	mech. fiber rotator	
file name	PO20500		OK: date/sign.	12. APR. 2011	
			rev	1	
			scale	1:1	
			customers drawing	piezosystem jena	