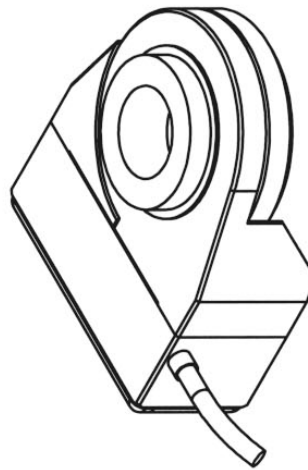
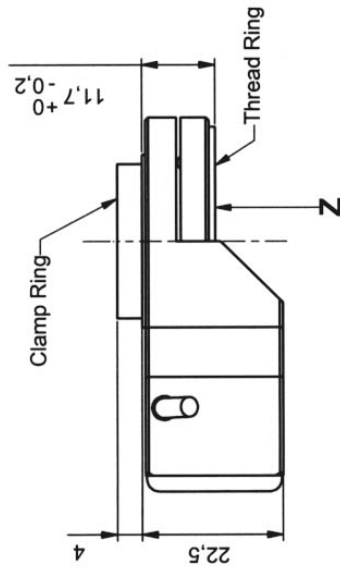




**COMPETENCE
IN PRECISION**



ORIGINAL

*: max- Objective-φ

part-no.	O-370-00	part-name	Mipos 250
file name	PO37000	OK: date/sign.	23. APR. 2004
		Rev.	1
		scale	1:1
		customers drawing piezosystem jena	

