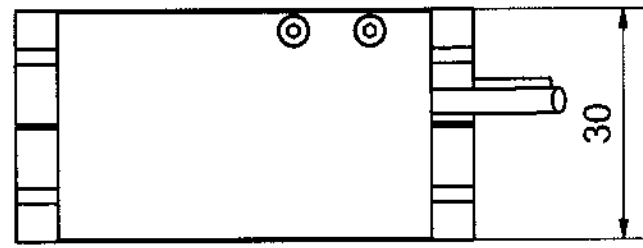
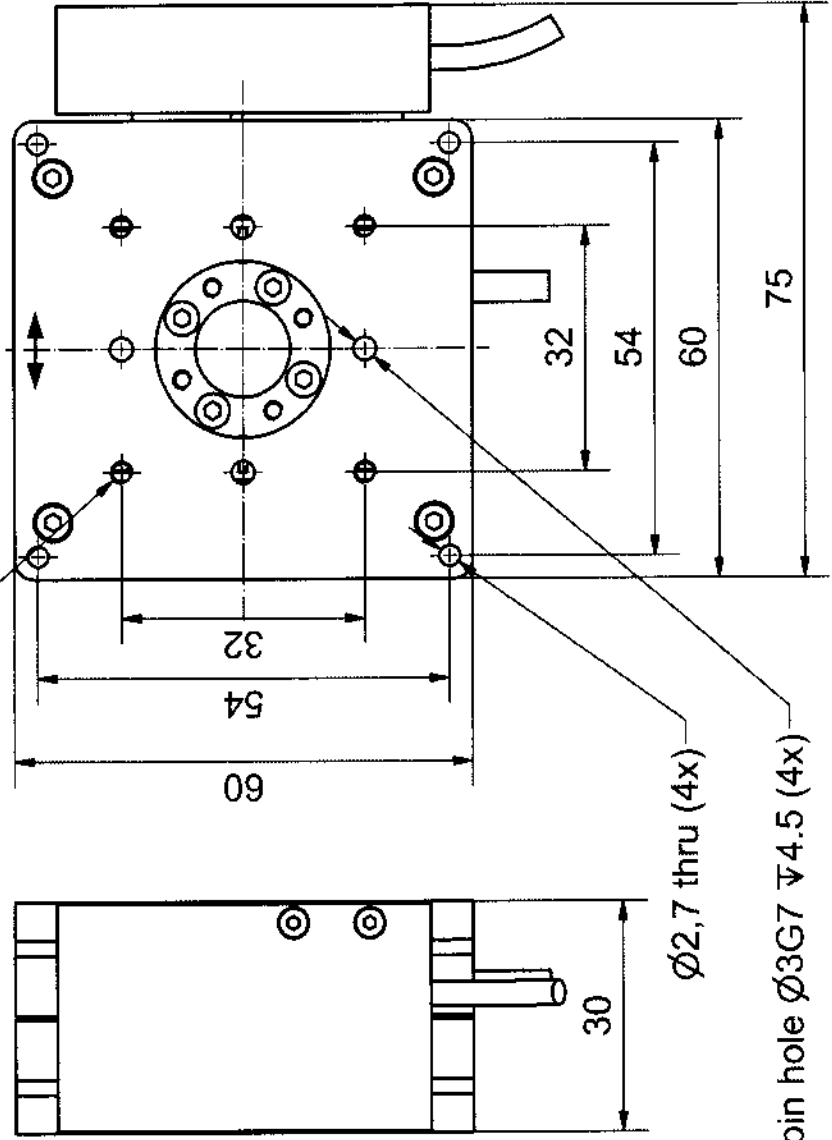


top view

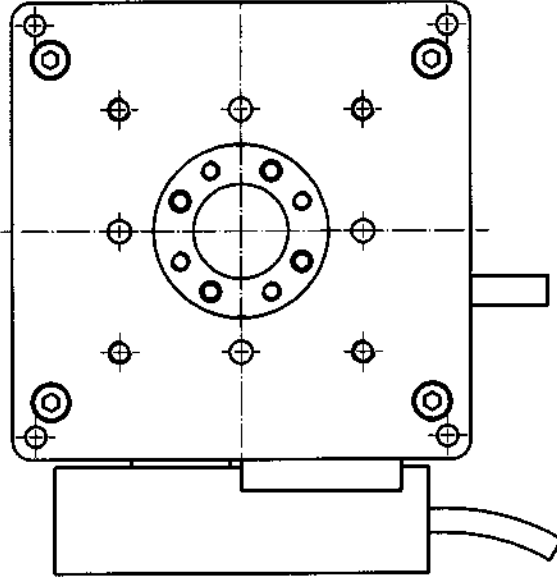
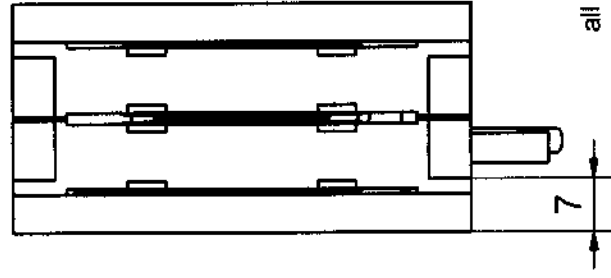
tapped hole M3 - 6H  $\nabla$ 4.5 (4x)

stroke



$\varnothing$ 2,7 thru (4x)

pin hole  $\varnothing$ 3G7  $\nabla$ 4.5 (4x)



all dimension in [mm]

orientation tolerance of tapped holes  $\pm 0.05$

orientation tolerance of pin holes  $\pm 0.02$

part.-no.	T-128-06	part.-name	nanosX800CAP
file name	PT12806	OK: date/sign.	05. MAI 2006 / 19
		scale	1:1
		customers drawing	
			piezosystem jena

ORIGINAL