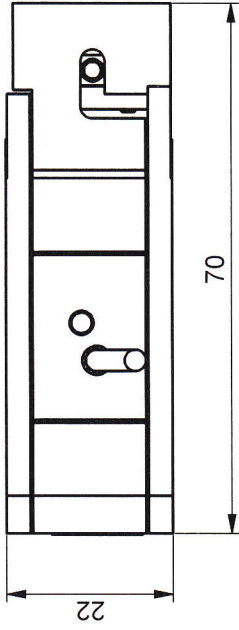
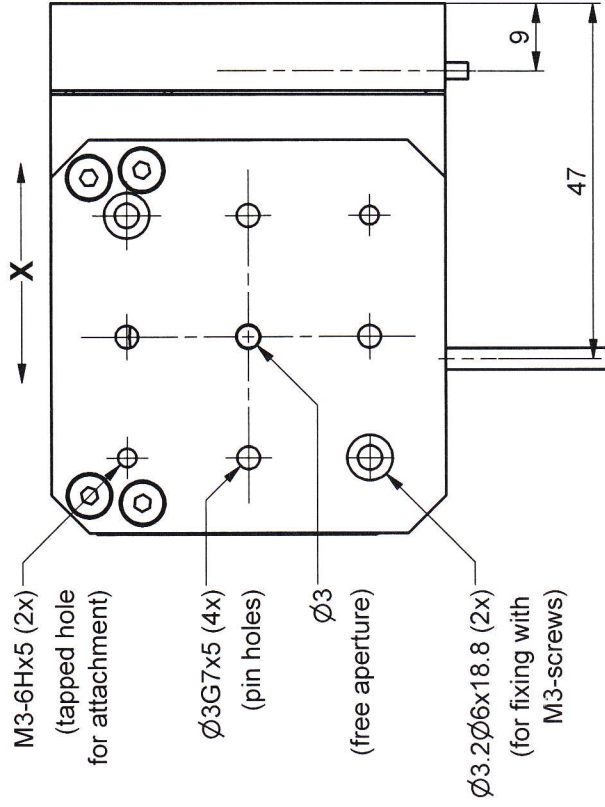


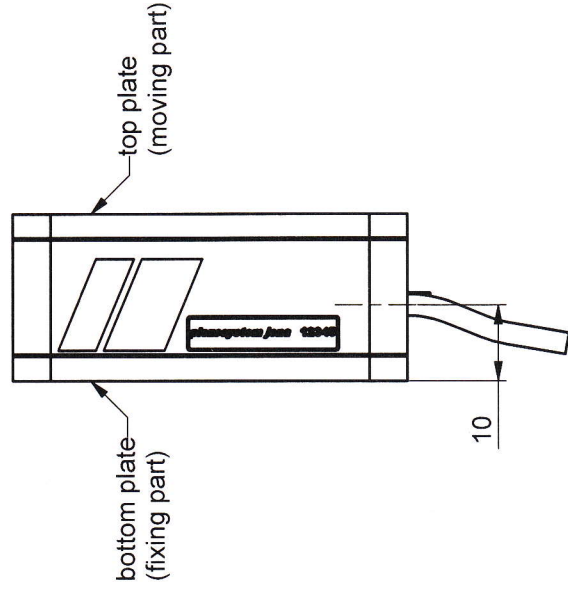
front view



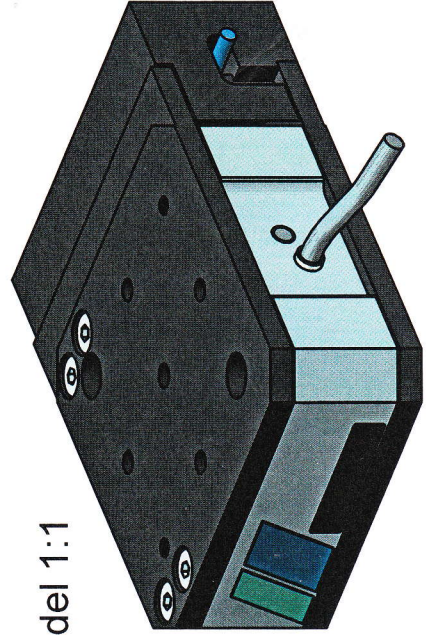
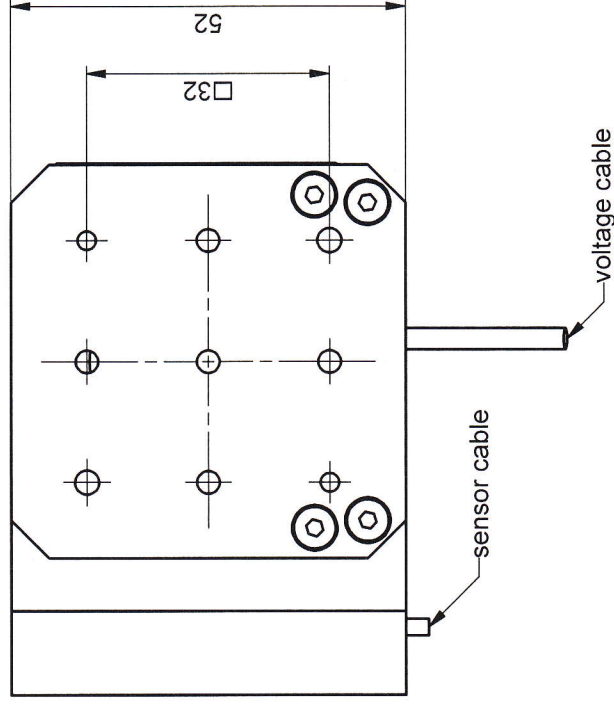
top view



side view



bottom view



model 1:1

ORIGINAL

standard cable length 1.6m (EXT/DIG 2m)

part.-no.	T-106-26	part.-name	nanoX 200 CAP
file name	PT10626	OK: date/sign.	18. AUG. 2011
		rev.	01
		scale	1:1
		customers drawing	piezosystem jena

unit [mm]

pin hole tolerance ± 0.02

tapped hole tolerance ± 0.05