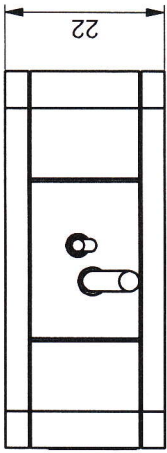
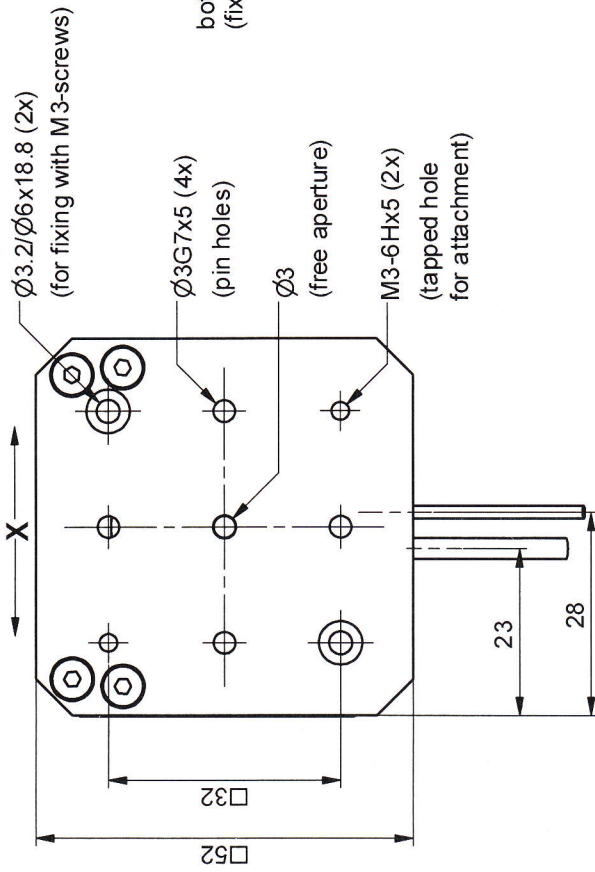


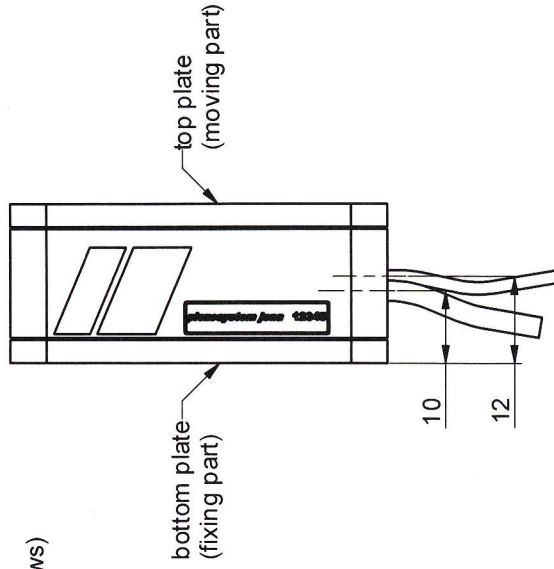
front view



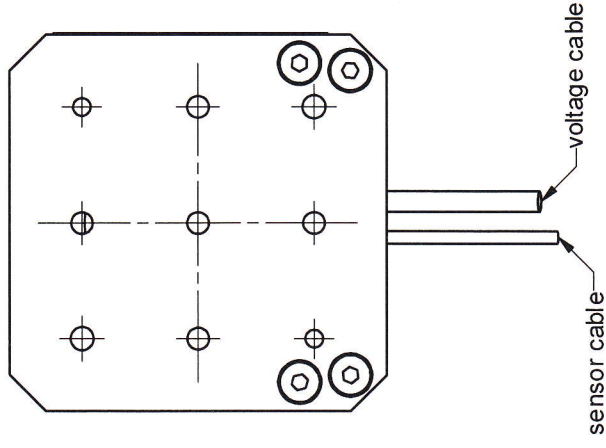
top view



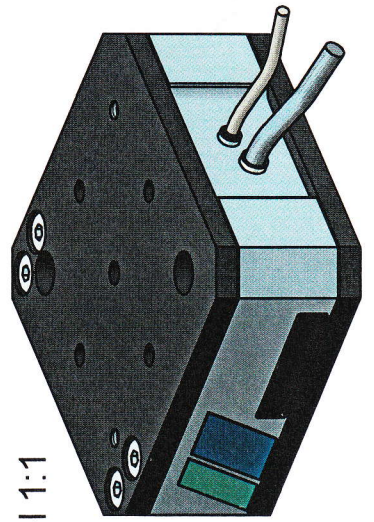
side view



bottom view



model 1:1



ORIGINAL

standard cable length 1.2m (EXT/DIG 2m)

part.-no.	T-106-21	part.-name	nanoX 200 SG
file name	PT10621	OK: date/sign.	18. AUG 2011
		rev.	01
		scale	1:1
		customer's drawing	piezosystem jena

unit [mm]

pin hole tolerance ± 0.02

tapped hole tolerance ± 0.05