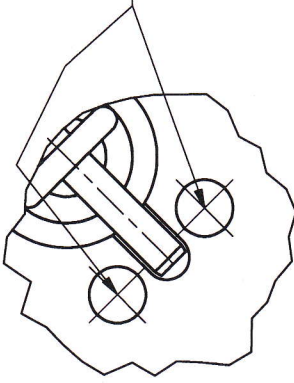
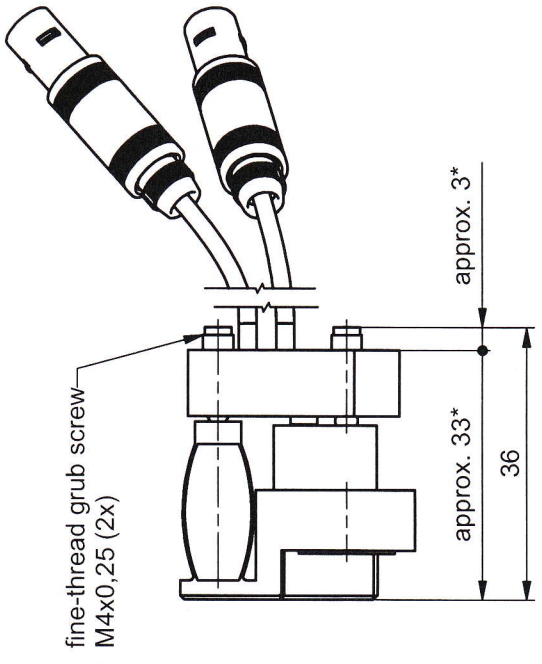


A (5:1)

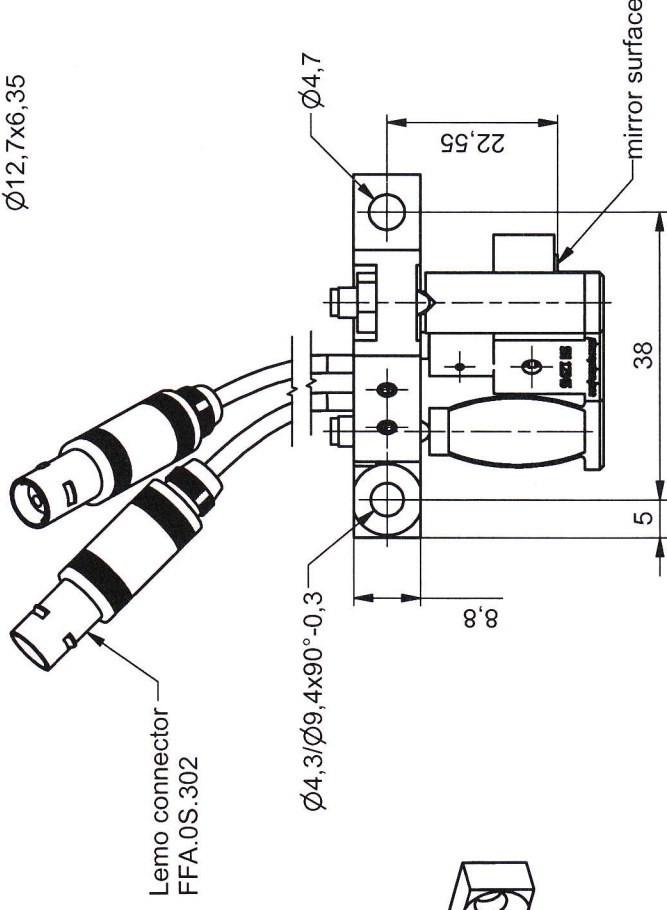
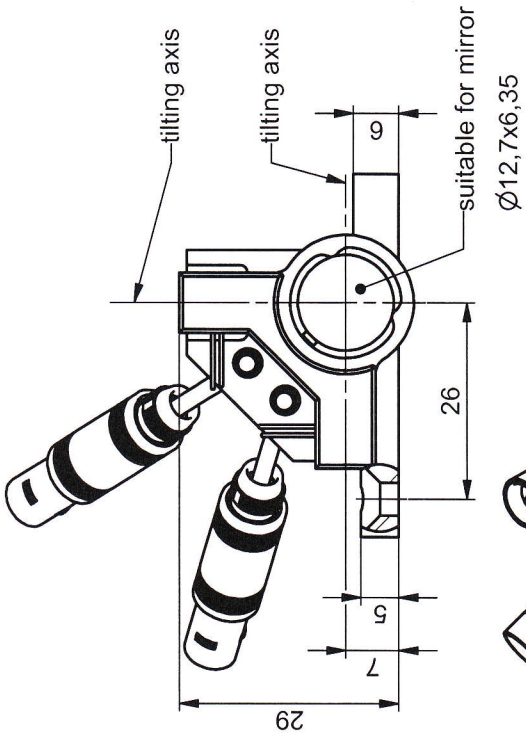


openings for filling and venting while gluing; use cannula with max. diameter of 1,2 mm

Dispense glue slightly!



fine-thread grub screw M4x0,25 (2x)



ORIGINAL

\* ... depends on adjusting

part.-no.	K-700-00	part.-name	PKS 1-1/2"
file name	PK 700 00	OK: date/sign.	PK 700 00 rev. 1 H. R. AUB 2011
		scale	M 1:1
		customers drawing piezosystem jena	

