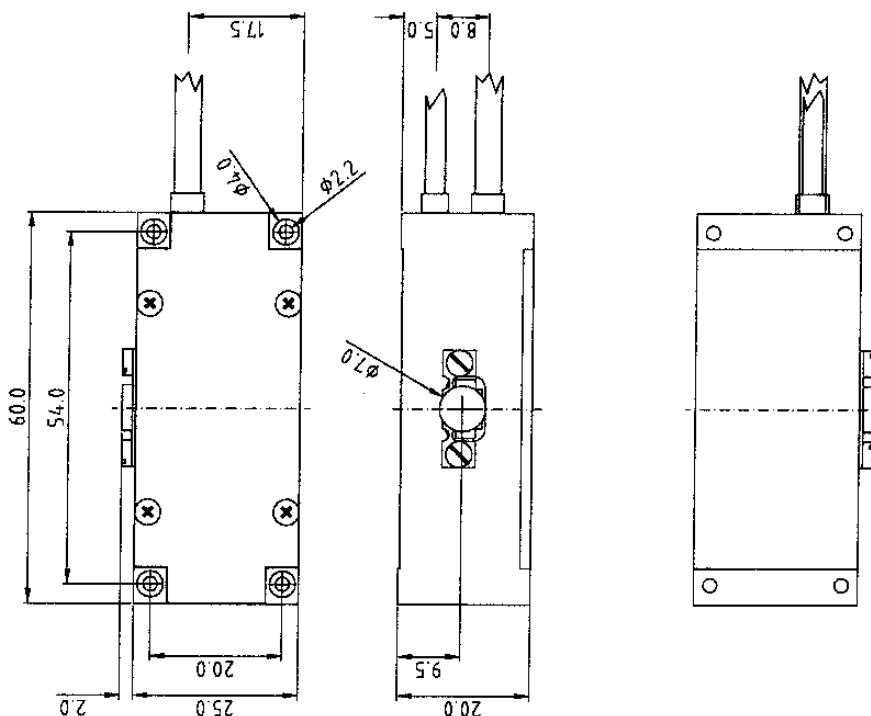
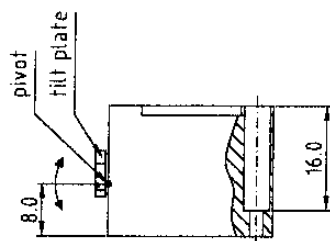




COMPETENCE
IN PRECISION



ORIGINAL

part.-no.	K-232-01	part.-name	PSH 35-SG
date	0 6. DEZ. 2000	OK / Sign.	<i>Ma</i>
file name	PK23201	customers drawing	piezosystem jena