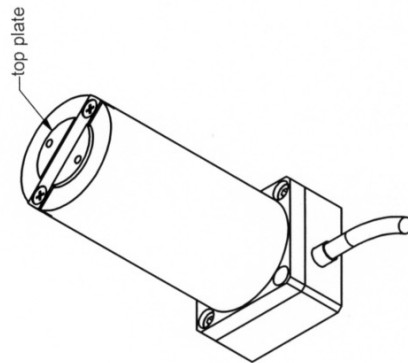
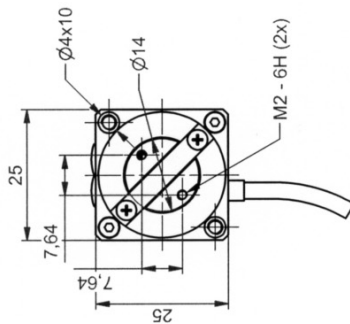
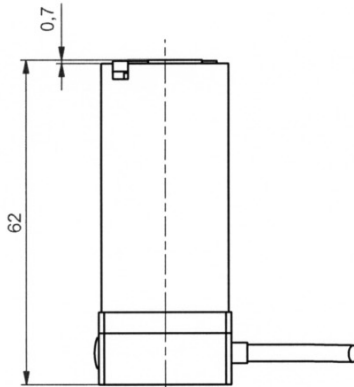
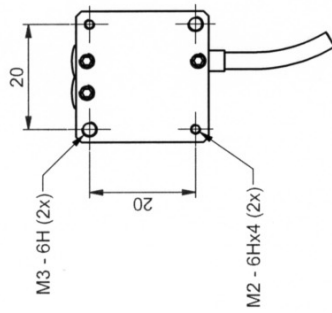


**COMPETENCE
IN PRECISION**



ORIGINAL

part-no.	K-108-00	part-name	PSH 8
file name	PK10800	OK date/sign.	7.9. APB 2011
		scale	1:1
		customers drawing	piezosystem jena

piezosystem jena GmbH

Prüssingstraße 27 • 07745 Jena • HRB Gera 2823 • VAT ID-Nr. DE 150531409

Konten: Commerzbank BLZ 820 400 00, KTO 258 420 9 • Deutsche Bank BLZ 820 700 24, KTO 531 571 8

Tel. + 49 (3641) 66 88 0 • Fax +49 (3641) 66 88 66 • e-Mail info@piezोजना.com •

<http://www.piezोजना.com/>