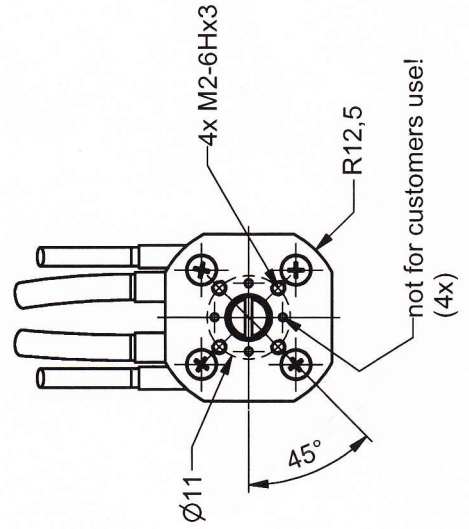
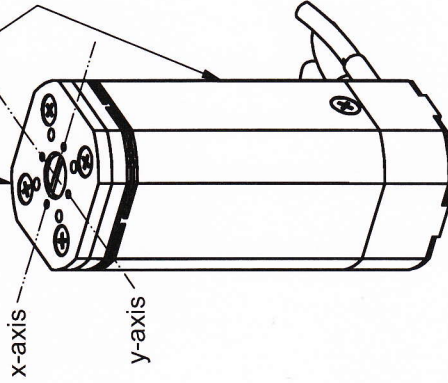


angular error around z-axis between these two parts without load: $\pm 0,1^\circ$



ORIGINAL

part-no.	K-110-01	part-name	PSH 10/2 SG
file name	PK 110 01	OK: date/sign.	18 JUNI 2009
		rev	3
		scale	1:1
			customers drawing
			piezosystem jena