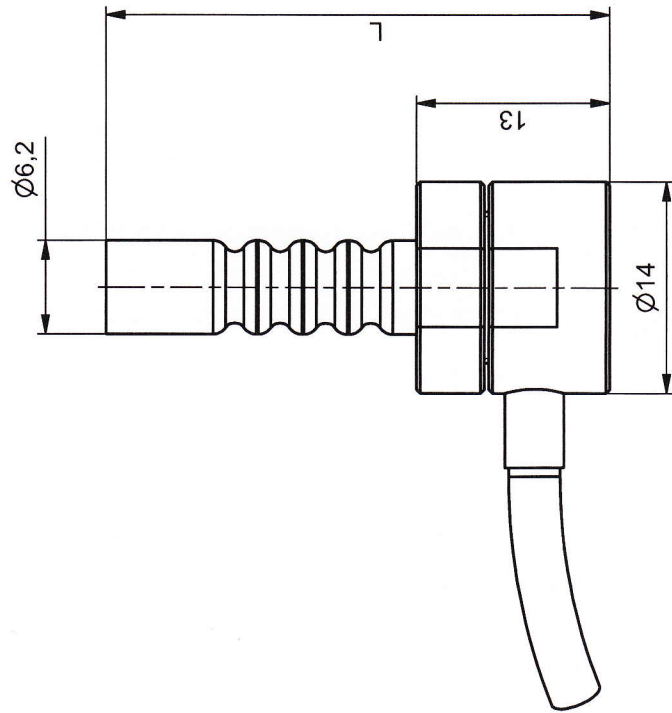
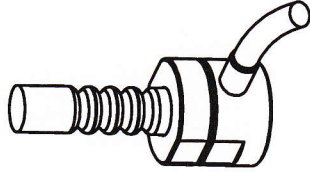



(1:1)



part name	P 18/S 08	P 50/S 08	P 70/S 08
part no.	P-752-39	P-755-39	P-757-39
L	33,5	73,5	93,5

part.-no.	P 75x 39		part.-name	P xx/S 08 (IP 68)
file name	P-75x-39		OK: date/sign.	26. MRZ. 2009
	scale		customers drawing	
	2:1		piezosystem jena	

ORIGINAL