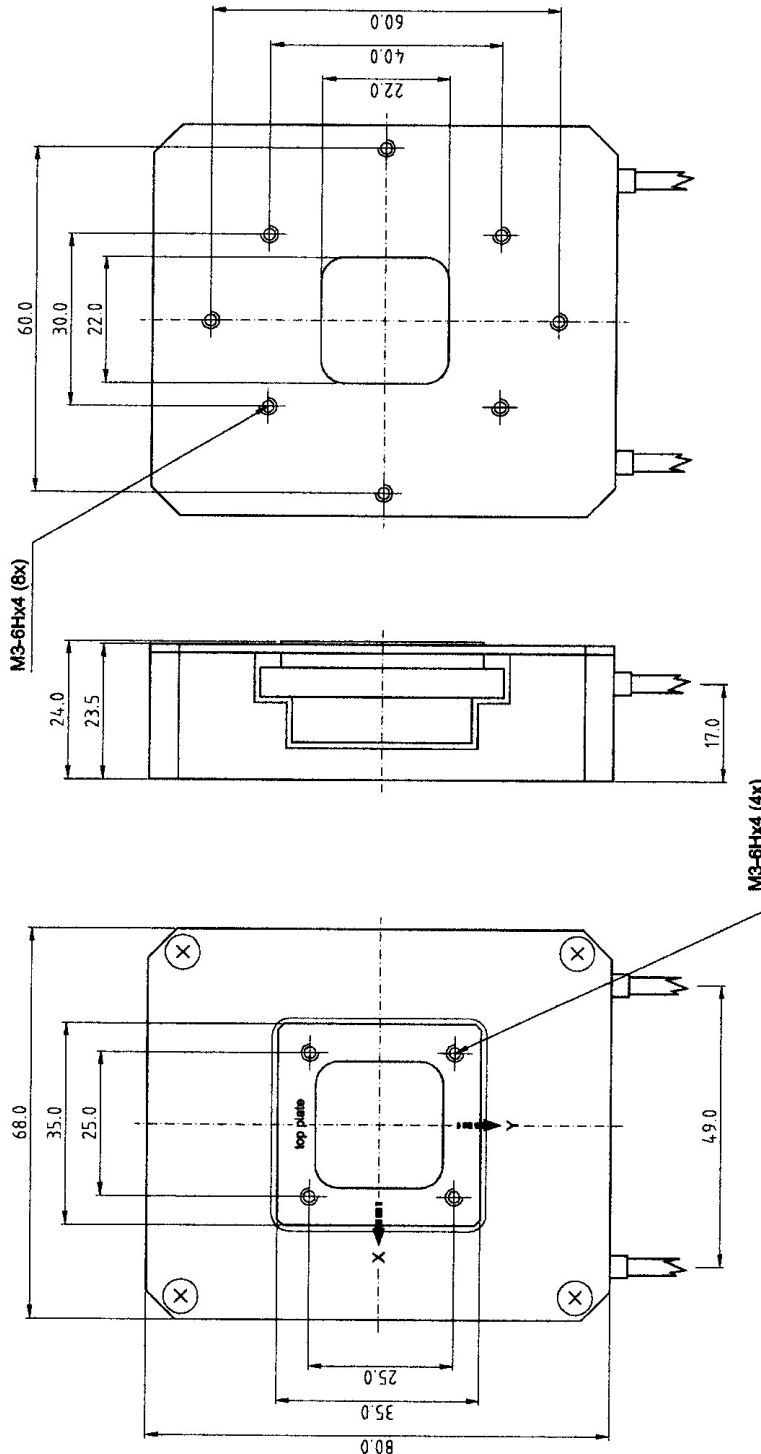




COMPETENCE
IN PRECISION



ORIGINAL

| | | |
|-----------|----------------|-------------------|
| part-no. | part-name | date |
| T-208-00 | PXY400 | 13. JUNI 2001 |
| file name | OK: date/sign. | customers drawing |
| PT20800 | ÄZ 0 | piezosystem jena |
| | scale | |
| | 1:1 | |